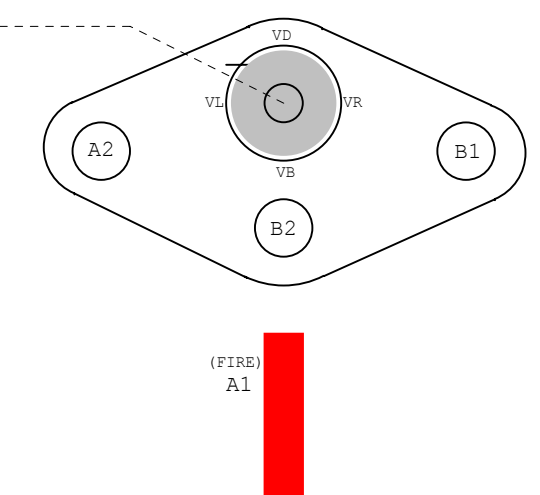
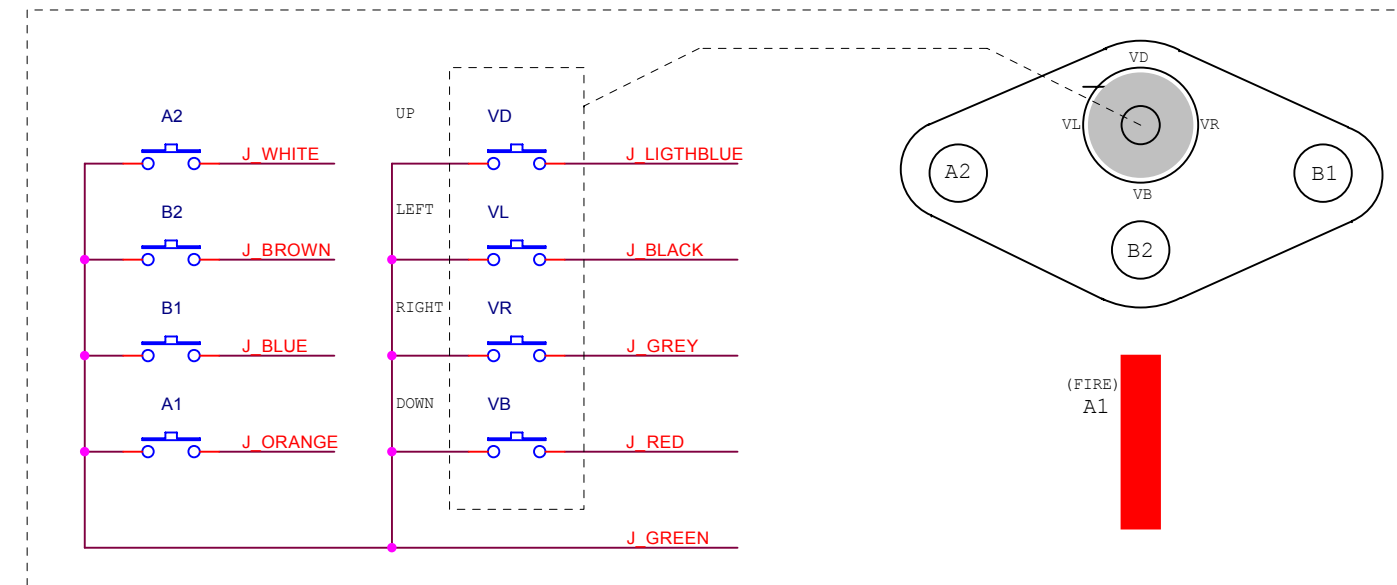


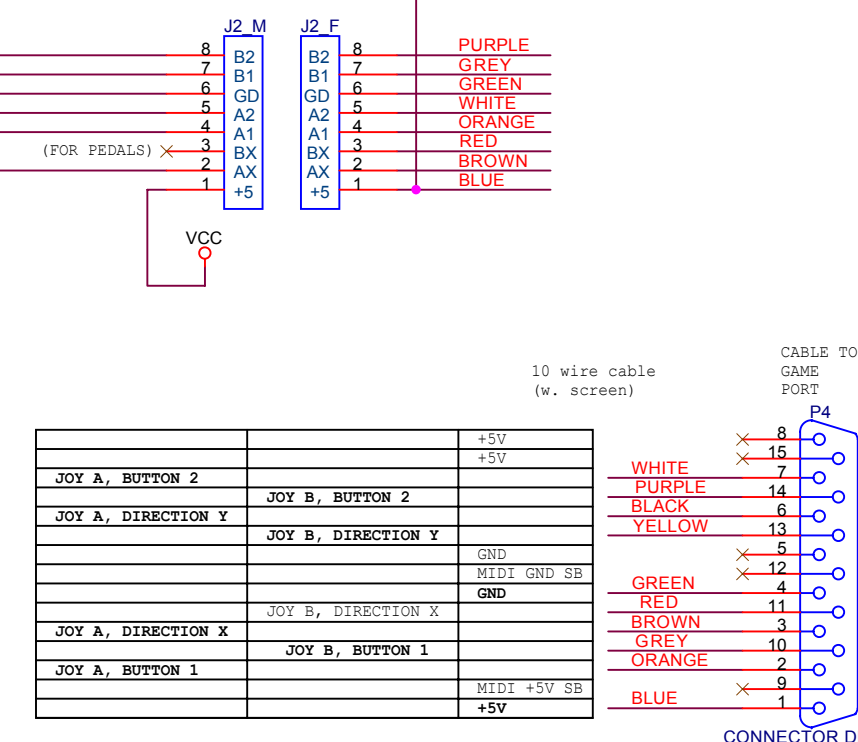
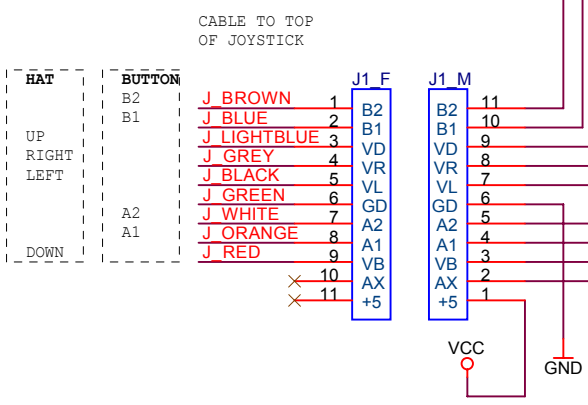
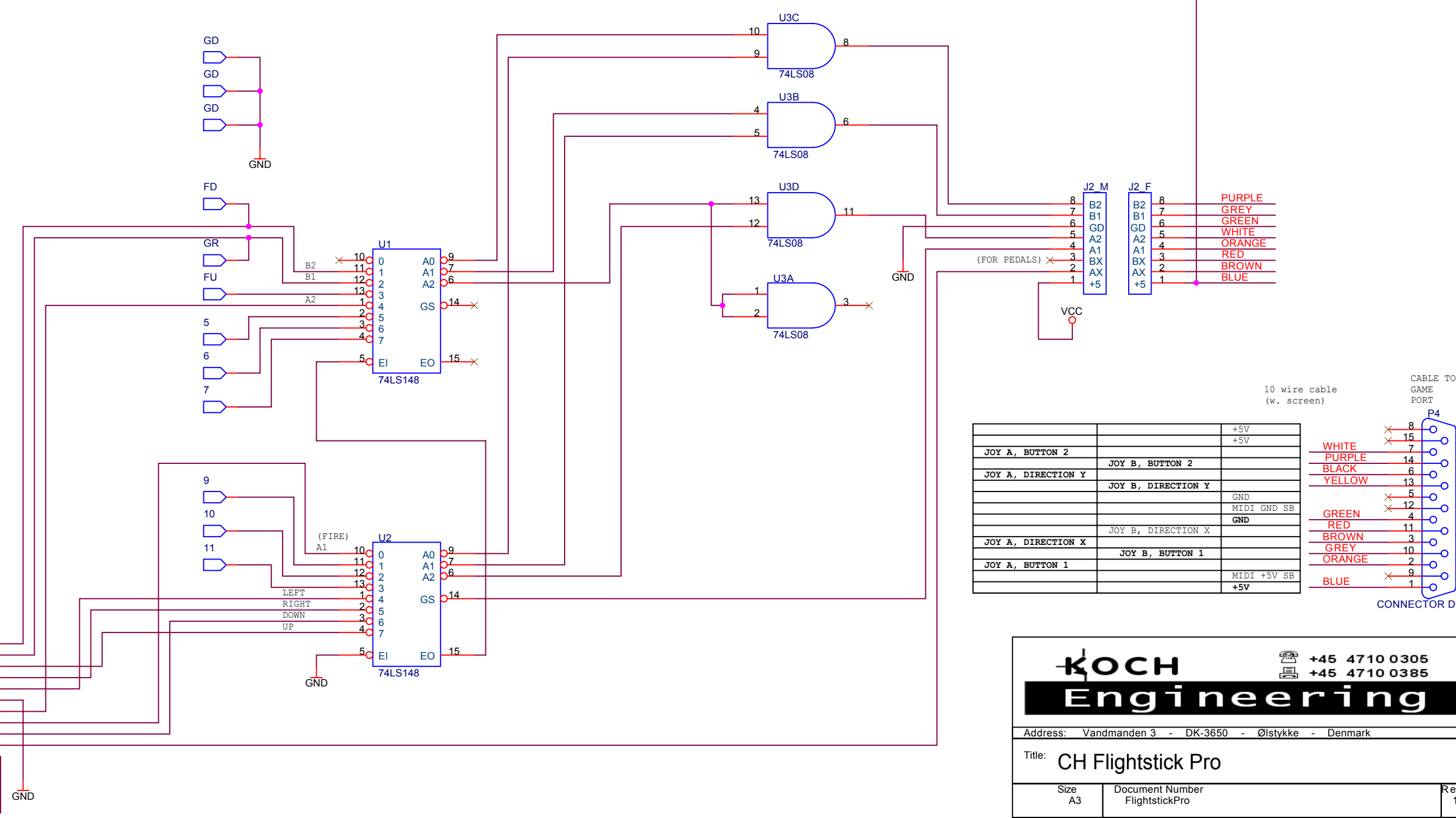
JOY A, DIRECTION X	LEFT/RIGHT	100K POTM.
JOY A, DIRECTION Y	UP/DOWN	100K POTM.
JOY B, DIRECTION X	PEDALS	50K+50K POTM.
JOY B, DIRECTION Y	THROTTLE	100K POTM.



CH	A1	A2	B1	B2
Flightstick Pro				
UP	0	0	0	0
DOWN	0	0	0	1
RIGHT	0	0	1	0
LEFT	0	0	1	1
11	0	1	0	0
10	0	1	0	1
9	0	1	1	0
A1/"FIRE"	0	1	1	1
7	1	0	0	0
6	1	0	0	1
5	1	0	1	0
A2	1	0	1	1
FU	1	1	0	0
B1/GR	1	1	0	1
B2/FD	1	1	1	0

A button higher in the list overrules a button lower in the list

Functions in bold, is implemented as buttons in this joystick



		+5V	8
		+5V	15
JOY A, BUTTON 2	JOY B, BUTTON 2		7
JOY A, DIRECTION Y	JOY B, DIRECTION Y		14
		GND	6
		MIDI GND SB	13
		GND	5
			12
JOY A, DIRECTION X	JOY B, DIRECTION X		4
JOY A, BUTTON 1	JOY B, BUTTON 1		11
			3
			10
		MIDI +5V SB	2
		+5V	9
			1

KOCH Engineering

+45 4710 0305
+45 4710 0385

Address: Vandmanden 3 - DK-3650 - Ølstykke - Denmark

Title: CH Flightstick Pro

Size A3	Document Number FlightstickPro	Rev 1.0
Date: Thursday, May 29, 2003	Sheet: 1 of 1	
Designer: H.KOCH		